

SERVICE BULLETIN

Subject: Articulated Curtain and Related Kit for EH222

Scotsman has changed the design of the curtain used on the EH222. The new curtain is articulated, meaning that it is made up of two connected sections that form a flexible component. There is an upper section hanging from the evaporator spillway (as before) and a lower section that hangs from and pivots on the upper section. During harvest, the lower section is pushed open by the ice while the upper section only moves slightly, allowing the ice to pass more freely, reducing the breaking of ice as it is falling into the bin or dispenser. Keeping the ice from breaking up as it falls reduces false bin full conditions caused by a curtain that is held open by fractured ice.

The new curtain hangs the same way as the prior curtain. The curtain switch position is lower, as the magnet is in the lower section. There are magnets sealed into both sides of the bottom section.

Production of EH222 with the new curtain began October 4 with serial number 10101320010556. The new production EH222s have the curtain switch moved to a lower position in the left evaporator wall to match up with the magnet's position.

The kit number to retrofit onto prior EH222s is **A39843-001**. This kit will also fit C0830, C1030, C1448, C1848, C2148 and EH430.

The part number for a replacement curtain for units manufactured with the new design is **02-4611-21**, and also fits C0830, C1030, C1448, C1848, C2418 and EH430.

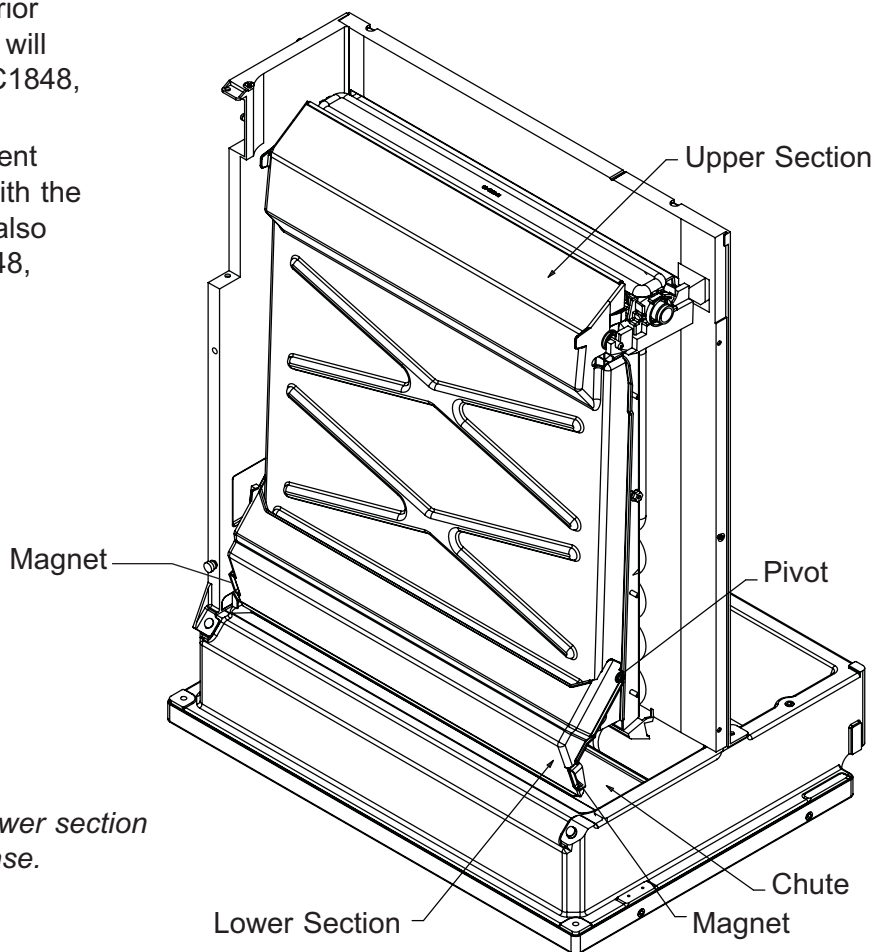


Illustration shown with lower section open, as during ice release.